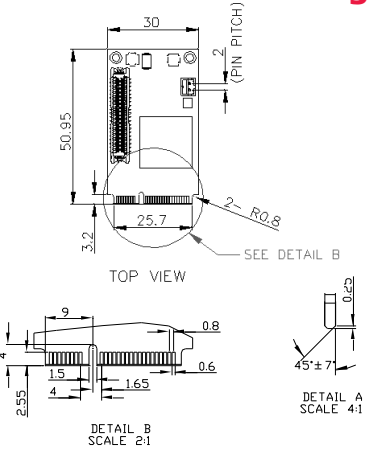


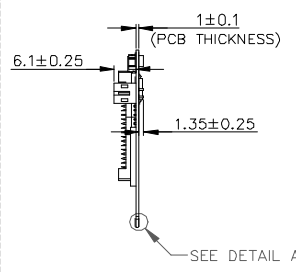
### Features

- VGA Output up to 1920x1080, up to 75Hz vertical rate
- LVDS resolution supports up to 1600 x 1200
- EMPV-1202-C1/W1 Support 18 bit panel and 24 bit JEIDA LVDS
- EMPV-1202-C2/W2 Support 24 bit VESA LVDS
- Allow for 90°, 180°, and 270° rotation of on-screen images.
- Optional Industrial Temperature (-40°C to +85°C) support.
- 30μ" golden finger, 3 years warranty.
- Industrial design. Manufactured in innodisk Taiwan.

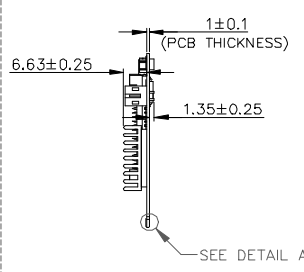
### Mechanical Drawing



#### Standard Temp



#### Wide Temp



18 bits LVDS + VGA

Signal	Pin	Pin	Signal
+5V	2	1	+3.3V
+5V	4	3	+3.3V
I2C_DATA	6	5	I2C_CLK
GND	8	7	GND
LVDS_D0+	10	9	LVDS_D1+
LVDS_D0-	12	11	LVDS_D1-
GND	14	13	GND
LVDS_D2+	16	15	LVDS_D3+
LVDS_D2-	18	17	LVDS_D3-
GND	20	19	GND
R_0	22	21	B_0
G_0	24	23	
GND	26	25	GND
H_Sync	28	27	DDC_SCL
V_Sync	30	29	DDC_SDA
GND	32	31	GND
LVDS_CLK+	34	33	
LVDS_CLK-	36	35	
GND	38	37	GND
	40	39	

### Specifications

**Headquarters (Taiwan)**  
 5F., No. 237, Sec. 1, Datong Rd.,  
 Xizhi Dist., New Taipei City 221,  
 Taiwan  
 Tel: +886-2-77033000  
 Email: sales@innodisk.com

**Branch Offices:**

**USA**  
[usasales@innodisk.com](mailto:usasales@innodisk.com)  
 +1-510-770-9421

**Europe**  
[esusales@innodisk.com](mailto:esusales@innodisk.com)  
 +31-40-3045-400

**Japan**  
[jpsales@innodisk.com](mailto:jpsales@innodisk.com)  
 +81-3-6667-0161

**China**  
[sales\\_cn@innodisk.com](mailto:sales_cn@innodisk.com)  
 +86-755-21673689

Form-Factor	mini PCIe
Input I/F	PCI Express 1.0
Output I/F	VGA, 18/24 bit LVDS (C1 for JEIDA, C2 for VESA)
Output Connector	40pin 1.25mm (40DP-1.25)
TDP	1.98W(3.3V x 600mA)
Dimension (WxLxH)	ST: 50.95 x 30 x 8.45 mm, WT: 50.95 x 30 x 8.98 mm
Temperature	Operation: STD: 0°C ~ +70°C WT: -40°C ~ +85°C Storage: -55°C ~ +95°C
Environment	Vibration: 5G @7~2000Hz, Shock: 50G @ 0.5ms
Notes	Need to connect external 5V power for LVDS panel. OS Support : Windows XP (32 bit), Windows 7/8/8.1/10 (32/64 bit), Linux Ubuntu 12.04-16.04(32/64bit), Linux Fedora 17- 21(32/64bit), Linux CentOS/Redhat 6.5 (32/64bit)- 7.2(64bit)Please download driver from Myinnodisk website.

### Order information

**EMPV-1202-C1(Standard Temp.)**

**EMPV-1202-W1(Wide Temp.)**

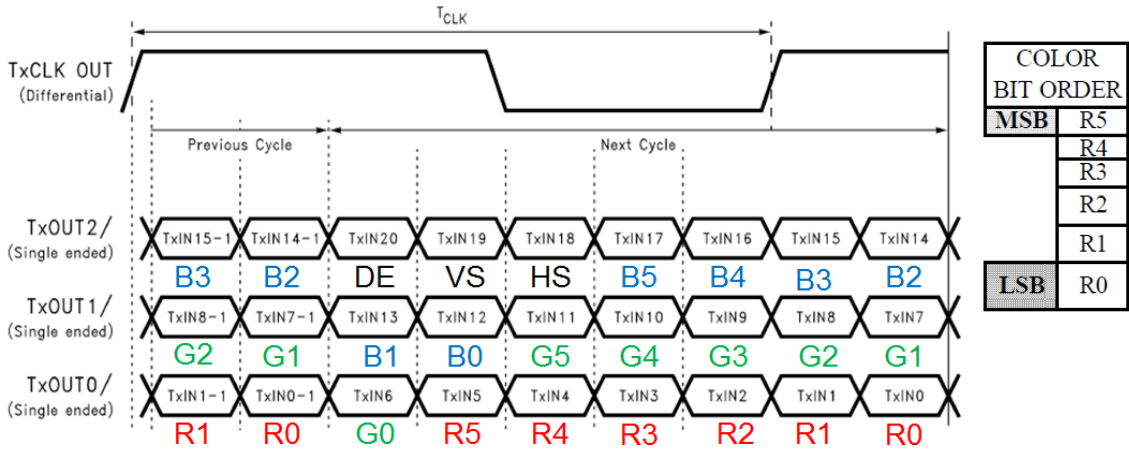
mPCIe to VGA & 18 bit panel and 24 bit JEIDA LVDS format module

**EMPV-1202-C2(Standard Temp.)**

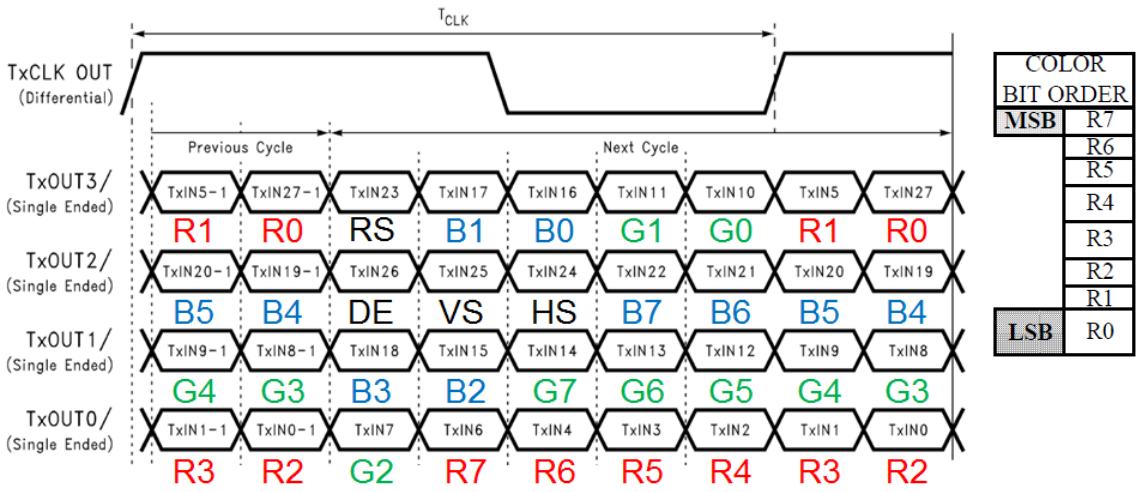
**EMPV-1202-W2(Wide Temp.)**

mPCIe to VGA & 24 bit VESA LVDS format module

## EMPV-1202-C1 LVDS 18 Bit Single Channel Data Mapping Diagram



## EMPV-1202-C1 JEIDA LVDS 24 Bit Single Channel Data Mapping Diagram



## EMPV-1202-C2 VESA LVDS 24 Bit Single Channel Data Mapping Diagram

