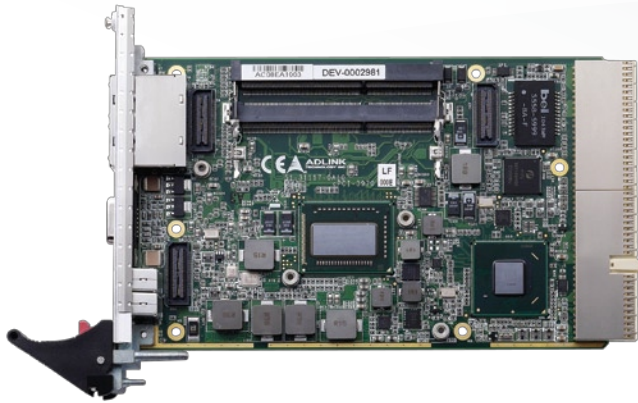


# cPCI-3970 Series

3U CompactPCI® 2nd Generation Intel® Core™ i7 Processor with ECC

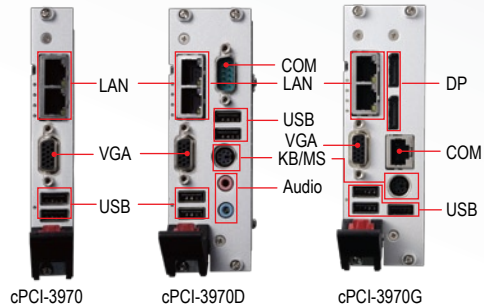
## Features

- 2nd Generation Intel® Core™ i7 quad/dual-core processor
- Supports DDR3-1333 SDRAM with ECC via SODIMM, up to 16GB
- Supports IPMI for system health monitoring
- DisplayPort, VGA, DVI, HDMI graphics interfaces
- Supports system/peripheral slot operation



**CompactPCI®**

**EXTENDED TEMPERATURE**



## Specifications

### Processor & System

CPU	<p>μFC-BGA Intel® Core™ i7-2715QE Processor 2.1GHz (Turbo boost to 3.0GHz), 6MB LLC cache, 45W TDP</p> <p>μFC-BGA Intel® Core™ i7-2655LE Processor 2.2GHz (Turbo boost to 2.9GHz), 4MB LLC cache, 25W TDP</p> <p>μFC-BGA Intel® Core™ i7-2610UE Processor 1.5GHz (Turbo boost to 2.4GHz), 4MB LLC cache, 17W TDP</p> <p>Supports Intel® Hyper-Threading and Turbo Boost Technology</p>
Chipset	Intel® QM67 PCH
Memory	Dual channel DDR3-1067/1333 SDRAM with ECC via two SODIMM sockets, up to 16GB capacity (dependent on availability of memory modules)
BIOS	AMI® EFI BIOS, 64Mbit SPI flash memory
CompactPCI Bus	<p>PCI 32-bit/33 MHz, 3.3V or 5V universal V(I/O)</p> <p>Supports operation in system slot as master or in peripheral slot as stand-alone blade without connectivity to CompactPCI bus (Satellite mode)</p>
PICMG Standards	<p>PICMG 2.0 CompactPCI R3.0</p> <p>PICMG 2.1 Hot Swap R2.0</p> <p>PICMG 2.9 System Management R1.0</p>

### Connectivity

PMC/XMC	One optional PCI 32-bit/66 MHz PMC site or PCI-Express x1 XMC site on 2nd or 3rd layer
Ethernet	<p>Four PCIe Intel® 82574L Gigabit Ethernet controllers on SBC for four 10/100/1000BASE-T ports on front panel</p> <p>RTM cPCI-R3P00: two GbE on I/O panel switched from SBC</p> <p>RTM cPCI-R3P00T: two GbE on I/O panel from onboard Intel® 82580DB GbE controller</p>
Graphics	<p>Integrated in Intel® processor, 3D engine</p> <p>DB-15 VGA port on front panel, switchable to rear, supports up to QXGA 2048x1536 pixels @75Hz, 32-bits</p> <p>Two DisplayPorts on front panel, support up to 2560x1600 pixels @60Hz; DVI, VGA and HDMI interfaces available by adapter cable (cPCI-3970G only)</p> <p>Dual independent display</p>
Serial Port	<p>Up to four serial ports</p> <p>One RS-232/422/485 port on front panel</p> <p>One RS-232/422/485 10-pin header on DB-3970L2</p> <p>Two serial ports on rear panel: one with Tx, Rx signal only, one converted from USB port supporting RS-232/422/485</p>
PS/2	Front panel PS/2 Keyboard Mouse port (8/12 HP version only)
USB	Up to four USB 2.0 front panel ports
Audio	<p>Three USB ports to rear, two on RTM panel</p> <p>Line-in and Line-out ports on front panel (cPCI-3970D only)</p>

### Storage

SBC	<p>One SATA 6 Gb/s direct connector for 2.5" onboard HDD (8HP &amp; 12HP version only)</p> <p>CompactFlash socket</p> <p>Optional CFast socket (site shared with CF adapter board)</p>
RTM	<p>Three 7-pin SATA signal connectors</p> <p>Supports SATA RAID 0/1/5/10</p>

### Operating System

OS	<p>Microsoft Windows® XP Professional</p> <p>Microsoft Windows® 7, 64bit version</p> <p>Red Hat Enterprise Linux 6 32/64-bit</p> <p>Fedora™ 14</p> <p>Wind River VxWorks 6.8, 6.9</p> <p>(Please contact ADLINK for other OS support)</p>
----	---

### Miscellaneous

LED	Power (green/red), WDT (amber), HDD (blue), Overheat (red)
Battery	Coin cell lithium battery onboard for RTC CMOS RAM
Watchdog Timer	System Reset and NMI, with programmable interval, 1-65535 sec or 1-65535 minutes
Hardware Monitor	Monitors CPU temperature, system temperature, and DC voltages by IPMI
TPM	Infineon SLB 9635 TT1.2 (optional, support upon request)

### Mechanical & Environmental

Form Factor	3U 4HP/8HP/12HP CompactPCI 100mm x 160mm (LxW)
Operating Temperature	<p>0°C to 60°C</p> <p>-20°C to 70°C extended temperature (cPCI-ET3970, CPUs with TDP 25W or lower)</p> <p>-40°C to 80°C extreme extended temperature (cPCI-EX3970, Core i7-2610UE only)</p>
Storage Temperature	-40°C to 85°C
Rel. Humidity	95% non-condensing
Shock	20G peak-to-peak, 11ms duration, non-operating
Vibration	2 Grms random vibration, 5-500Hz, each axis, operating
Power Consumption	<p>Core i7-2655LE, 4GB DDR3-1333 SODIMM under Windows XP with 100% CPU loading:</p> <p>0.71A@3.3V, 6.97A@5V, total 37.2W</p>
Weight	Net weight 389g with heatsink
Certifications	CE/ FCC

## I/O Table

		GbE	USB 2.0	COM	VGA	DP	DVI	PS/2 KB/MS	SATA	CF	CFast	Line-in	Line-out	PMC/XMC
cPCI-3970 (4HP)	Faceplate	2	2		1									
	Onboard									1	optional <sup>(3)</sup>			
cPCI-3970D (8HP)	Faceplate	2	4	1	1			1				1	1	
	Onboard								1 (for 2.5" HDD)	1	optional <sup>(3)</sup>			
cPCI-3970G (8HP)	Faceplate	2	3	1 (RJ-45)	1	2		1						
	Onboard			1 (10-pin)					1 (for 2.5" HDD)	1	optional <sup>(3)</sup>			
cPCI-3970L (8HP)	Faceplate	4	4	1	1									
	Onboard								1 (for 2.5" HDD)	1	Optional <sup>(3)</sup>			
cPCI-3970M (8HP)	Faceplate	2	4 <sup>(4)</sup>	2 <sup>(4)</sup>	1		2 <sup>(4)</sup>	1 <sup>(4)</sup>				1 <sup>(4)</sup>	1 <sup>(4)</sup>	
	Onboard													
cPCI-3970P (12HP)	Faceplate	2	4	1	1			1				1	1	
	Onboard								1 (for 2.5" HDD)	1	optional <sup>(3)</sup>			1
cPCI-3970U (12HP)	Faceplate	2	3	1 (RJ-45)	1	2		1						
	Onboard			1 (10-pin)					1 (for 2.5" HDD)		optional <sup>(3)</sup>			1
cPCI-R3P00 (T)	Faceplate	2 <sup>(1)</sup>	2	2	1 <sup>(2)</sup>									
	Onboard								3 (7-pin)					

(1) Switched from front ports for cPCI-R3P00, independent ports for cPCI-R3P00T  
 (2) Switched from front port  
 (3) Available by replacing CF socket adapter board with CFast socket adapter board (DB-3CFAST)  
 (4) Two USB Type A connectors, two COM RS-232/422/485, two DVI-D, two PS/2 KB/MS, Line-in/Line-out are integrated in 100-pin high density connector on layer two daughter board.

## Ordering Information

Model Number	Description/Configuration
<b>Processor Blades</b>	
cPCI-3970D/655L/M4G	2-slot (8HP) 3U CompactPCI® Blade with Intel® i7-2655LE processor and 2x 2GB DDR3-1333, 2x GbE, VGA, 4x USB, Audio, KB/MS, COM, SATA, CF
cPCI-3970D/610U/M4G	2-slot (8HP) 3U CompactPCI® Blade with Intel® i7-2610UE processor and 2x 2GB DDR3-1333, 2x GbE, VGA, 4x USB, Audio, KB/MS, COM, SATA, CF
cPCI-3970G/610U/M4G	2-slot (8HP) 3U CompactPCI® Blade with Intel® i7-2610UE processor and 2x 2GB DDR3-1333, 2x GbE, VGA, 4x USB, KB/MS, COM, 2x DP, SATA, CF (one DP to DVI cable is included)
cPCI-3970Q/715Q/M8G	2-slot (8HP) 3U CompactPCI® Blade with Intel® i7-2715QE processor and 2x 4GB DDR3-1333, 2x GbE, VGA, 2x USB, CF
cPCI-3970P/655L/M4G	3-slot (12HP) 3U CompactPCI® Blade with Intel® i7-2655LE processor and 2x 2GB DDR3-1333, 2x GbE, VGA, 4x USB, Audio, KB/MS, COM, SATA, CF, PMC/XMC
cPCI-ET3970D/610U/M4G	-20°C to +70°C extended temperature cPCI-3970D/610U/M4G (no TPM)
cPCI-EX3970G/610U/M4G	-40°C to +80°C extreme extended temperature cPCI-3970D/610U/M4G (no TPM)
cPCI-3970M/610U/M8G	2-slot (8HP) 3U CompactPCI® Blade with Intel® i7-2610UE processor and 2x 4GB DDR3-1333, 2x GbE, VGA, 2x USB, SATA, CF; additional high density 100-pin connector with Line-in/Line-out, 2x DVI, 2x type A USB, PS/2 KB/MS, 2x DB-9 COM

### Rear Transition Modules

cPCI-R3P00	8 HP Rear I/O module for cPCI-3970 with GbE x2, COM x2, USB x2, SATA x3, VGA, 50mm depth
cPCI-R3P00T	8 HP Rear I/O module for cPCI-3970 with GbE x2, COM x2, USB x2, SATA x3, VGA, 80mm depth

### Accessories

DB-3CFAST	CFast socket adapter board
DP-DVI cable*	DisplayPort to DVI adapter cable
DP-VGA cable	DisplayPort to VGA adapter cable
DP-HDMI cable	DisplayPort to HDMI adapter cable

Contact us for different CPU, memory, HDD and CFast combinations.  
 \*One DP-DVI cable is included with the cPCI-3970G.

