



Features

- Support Digital Outputs (Form A PhotoMOS relay)
- Fast Response Time
- Unlimited Life Time for Relays
- 4 kV ESD Protection
- 5000 Vdc Intra-module Isolation
- RoHS Compliant
- Wide Operating Temperature Range: -25 ~ +75°C



Introduction

I-87069W features 8-channel Form A PhotoMOS relay outputs. Unlike electromechanical relays, PhotoMOS relays have faster response time and nearly unlimited life time. I-87069W also has 8 LED indicators for PhotoMOS relay output status. 4 kV ESD protection and 5000V intra-module isolation are standard.

Applications

Building Automation, Factory Automation, Machine Automation, Remote Maintenance, Remote Diagnosis, Testing Equipment.

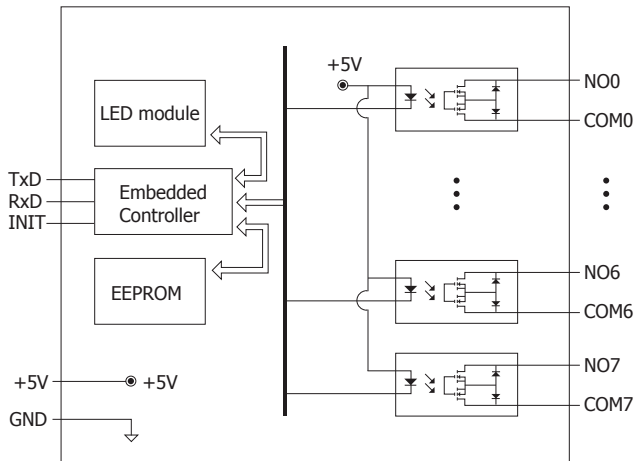
System Specifications

Communication	
Interface	RS-485
Format	N, 8, 1
Baud Rate	1200 ~ 115200 bps
Protocol	DCON
Dual Watchdog	Yes, Module (1.6 Seconds), Communication (Programmable)
Safe Value (When Host Fail or Communication Fail)	Yes
Power-on Preset Value	Yes
LED Indicator/Display	
System LED Indicator	1 LED as Power/Communication Indicator
I/O LED Indicator	8 LEDs as Power Relay Output Indicators
Isolation	
Intra-Module Isolation, Field-to-Logic	5,000 V _{rms}
EMS Protection	
ESD (IEC 61000-4-2)	4 kV Contact for Each Terminal
	8 kV Air for Random Point
Power	
Power Consumption	0.5 W Max.
Mechanical	
Dimensions (W x L x H)	30 mm x 102 mm x 115 mm
Environment	
Operating Temperature	-25 ~ +75°C
Storage Temperature	-40 ~ +85°C
Humidity	10 ~ 95% RH, Non-condensing

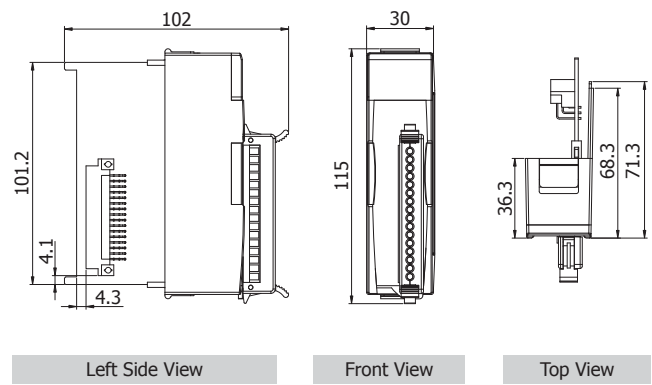
I/O Specifications

Digital Output	
Channels	8
Type	PhotoMOS Relay
Sink /Source (NPN /PNP)	Form A
Load Voltage	350 V _{dc} Max. at DC/ AC
Max. Load Current	0.13 A Max.
Turn On Time	0.7 ms (Typical)
Turn Off Time	0.05 ms (Typical)
Peak Load Current	0.4 A at 100 ms
Output Off State Leakage Current	1 uA
Output On Resistance	23 Ω
Power-on Value	Yes
Safe Value	Yes

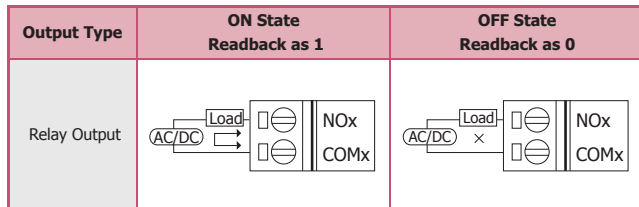
Internal I/O Structure



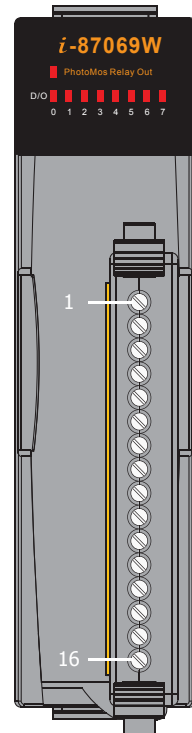
Dimensions (Units: mm)



Wire Connections



Pin Assignments



Terminal No.	Pin Assignment
01	NO0
02	COM0
03	NO1
04	COM1
05	NO2
06	COM2
07	NO3
08	COM3
09	NO4
10	COM4
11	NO5
12	COM5
13	NO6
14	COM6
15	NO7
16	COM7

Ordering Information

I-87069W-G CR	8-channel Photo-Mos Relay Output Module (Gray Cover) (RoHS)
----------------------	---

Accessories

	SG-770 CR	7 channel differential or 14 channel single-ended surge protector (RoHS)
--	------------------	--