

## NS-205PSE-IP67 Series *Available soon*

Industrial 5-port unmanaged IP67 Ethernet switch with PoE

## NS-205-IP67 Series

Industrial 5-port unmanaged IP67 Ethernet switch

NS-205PSE-IP67/DIN  
NS-205-IP67/DIN



NS-205PSE-IP67  
NS-205-IP67



### Highlight Information ▶▶▶

NS-205PSE-IP67 Series  
NS-205-IP67 Series



Only for  
NS-205PSE-IP67  
NS-205PSE-IP67/DIN



Only for  
NS-205PSE-IP67/DIN  
NS-205-IP67/DIN



### Features ▶▶▶

- Automatic MDI/MDI-X crossover for plug-and-play
- Store-and-forward architecture
- Each port supports both 10/100 Mbps speed auto negotiation
- Full duplex IEEE 802.3x and half duplex backpressure flow control
- Rugged RJ-45 Connector for anti-vibration and shock
- IP67 grade protection approval
- 4 PoE ports with Power Sourcing Equipment (PSE) operation (NS-205PSE-IP67 series)
- Auto-detection of PD (powered devices) and automatic power management (NS-205PSE-IP67 series)
- Over-temperature, over-current and over/under-voltage detection (NS-205PSE-IP67 series)

### Introduction

The NS-205PSE-IP67/NS-205-IP67 is designed for industrial applications in harsh environments. The rugged RJ-45 ensure tight, robust connections, and guarantee reliable operation, even for applications that are subject to high vibration and shock.

The NS-205PSE-IP67 PoE switch provides 5 fast Ethernet with 4 IEEE 802.3af compliant PoE ports. The switch is classified as power source equipment (PSE) and provide up to 15.4 W of power per port.

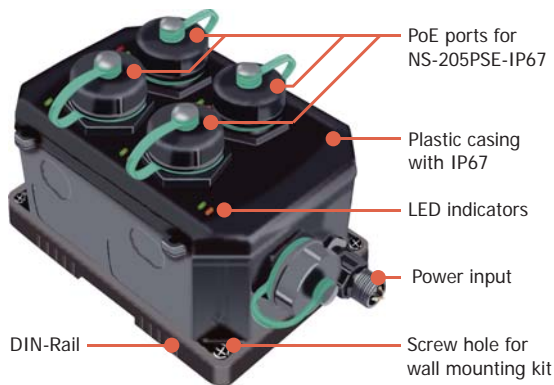
The Ethernet switch support IEEE 802.3/802.3u/802/3x with 10/100M, full/half-duplex, MDI/MDI-X auto-sensing, and provide an economical solution for your industrial Ethernet network.



## Specifications

Models	NS-205PSE-IP67	NS-205PSE-IP67/DIN	NS-205-IP67	NS-205-IP67/DIN
<b>Technology</b>				
Standards	IEEE 802.3, 802.3u, 802.3x, 10/100 Base-T(X) auto negotiation speed, F/H duplex mode, and auto MDI/MDI-X connection			
Processing Type	Store & forward; wire speed switching			
MAC Addresses	1024			
Memory Bandwidth	2 Gbps		1.4 Gbps	
Frame Buffer Memory	512 Kbit		256 Kbit	
Flow Control	IEEE 802.3x flow control, back pressure flow control			
<b>Interface</b>				
LED Indicators	PWR, 10/100M, Link/Act , Power Device is detected		PWR, 10/100M, Link/Act	
Ethernet Isolation	1500 V <sub>rms</sub> 1 minute			
Connector	Rugged RJ-45			
<b>Power Input</b>				
Input Voltage Range	+46 ~ +53 V <sub>DC</sub> for PoE output		+10 ~ +30 V <sub>DC</sub> (1 kV Isolated)	
Power Consumption	0.05 A @ 48 V <sub>DC</sub> without PD loading; 1.45 A @ 48 V <sub>DC</sub> with PD full loading		0.12 A @ 24 V <sub>DC</sub>	
Protection	Power reverse polarity protection			
Connector	IP67 PWR Plug			
<b>PoE Technology</b>				
PoE Compliance	100% IEEE 802.3af compliant		-	
PoE Classification	PSE (Power Sourcing Equipment)		-	
PoE Voltage	+46 ~ +48 V <sub>DC</sub> depending on power input		-	
PoE Power	Up to 15.4 watts per channel		-	
PoE Operation	Automatic detection and power management		-	
PoE Pin Assignments	V+ (Pin 1, 2), V- (Pin 3, 6)		-	
PoE Disconnect Mode	DC disconnect		-	
<b>Mechanical</b>				
Casing	Plastic (Flammability UL 94V-0)			
Environmental Rating	Protection rating IP67 for Operating Temperature -10 °C ~ +60 °C			
	Protection rating IP66 for for Operating Temperature -40 °C ~ +75 °C			
Dimensions (W x L x H)	85 mm x 76 mm x 137 mm	89 mm x 90 mm x 138 mm	85 mm x 76 mm x 137 mm	89 mm x 90 mm x 138 mm
Installation	Wall mounting	DIN-Rail Mounting or Wall Mounting	Wall mounting	DIN-Rail Mounting or Wall Mounting
<b>Environment</b>				
Operating Temperature	-10 °C ~ +60 °C (Protection rating IP67)			
	-40 °C ~ +75 °C (Protection rating IP66)			
Storage Temperature	-10 °C ~ +60 °C (Protection rating IP67)			
	-40 °C ~ +75 °C (Protection rating IP66)			
Ambient Relative Humidity	100% RH for Operating Temperature -10 °C ~ +60 °C			
	10% ~ 90% RH, non-condensing for Operating Temperature -40 °C ~ +75 °C			

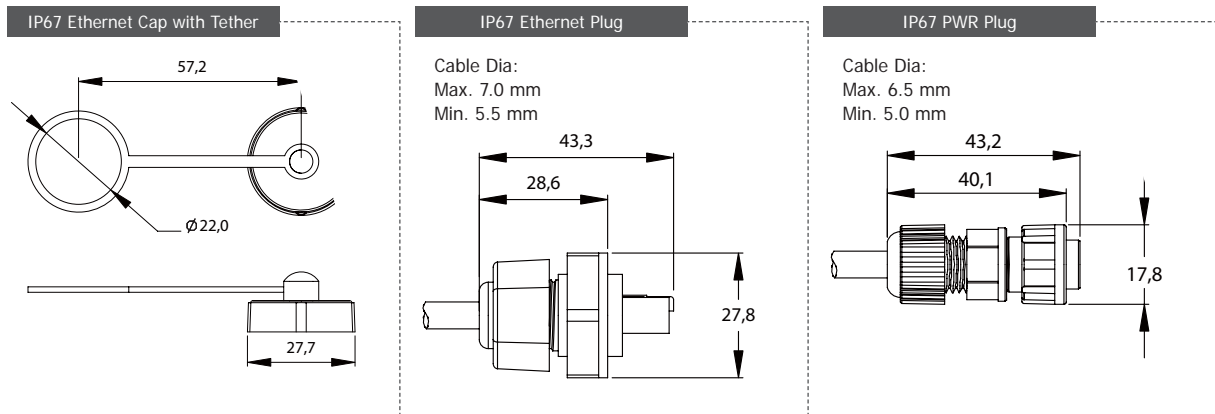
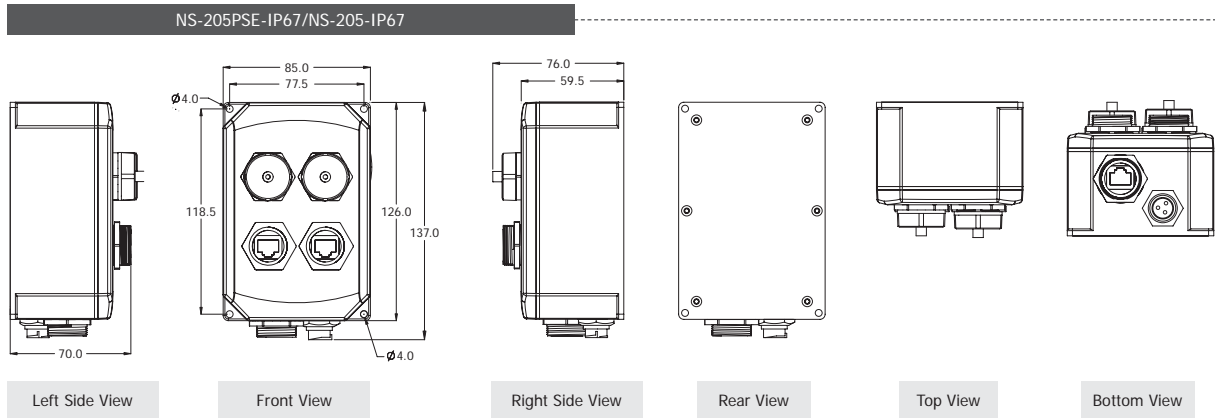
## Appearance



## Applications



### Dimensions (Units: mm)



### Ordering Information

NS-205PSE-IP67 CR	Industrial 5-port unmanaged IP67 Ethernet switch with PoE Includes IP67 RJ-45 Plug x 5, IP67 Power Plug x 1, Cap with Tether x 5 (RoHS)
NS-205PSE-IP67/DIN CR	NS-205PSE-IP67 with DIN-Rail Mounting (RoHS)
NS-205-IP67 CR	Industrial 5-port unmanaged IP67 Ethernet switch Includes IP67 RJ-45 Plug x 5, IP67 Power Plug x 1, Cap with Tether x 5 (RoHS)
NS-205-IP67/DIN CR	NS-205-IP67 with DIN-Rail Mounting (RoHS)

### Accessories

MDR-60-48	48 V/1.25 A, 60 W Power Supply with DIN-Rail Mounting
DIN-KA52F-48	48 V/0.52 A, 25 W Power Supply with DIN-Rail Mounting
DR-120-48	48 V/2.5 A, 120 W Power Supply with DIN-Rail Mounting

