

7.3. Current Transformer



Features

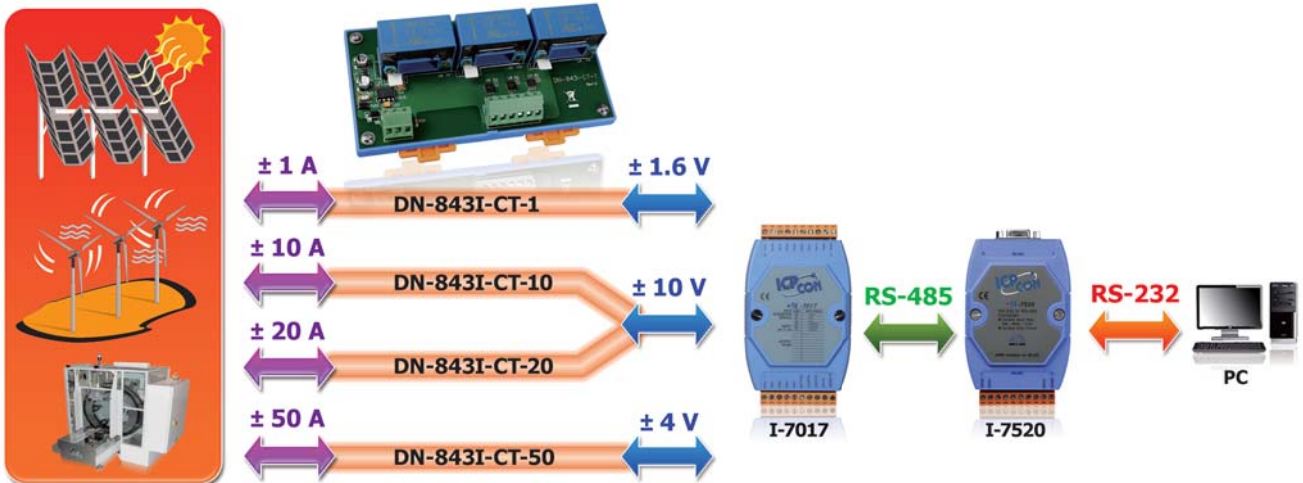
- AC/DC Source Input
- Linear Attenuation Ratio
- High Current Input Measurement
- Isolation Input
- Channel to Channel Isolation
- 4 kV ESD Protection
- RoHS Compliance
- Operating Temperature: -25 ~ +75°C
- Easily Wire Connection



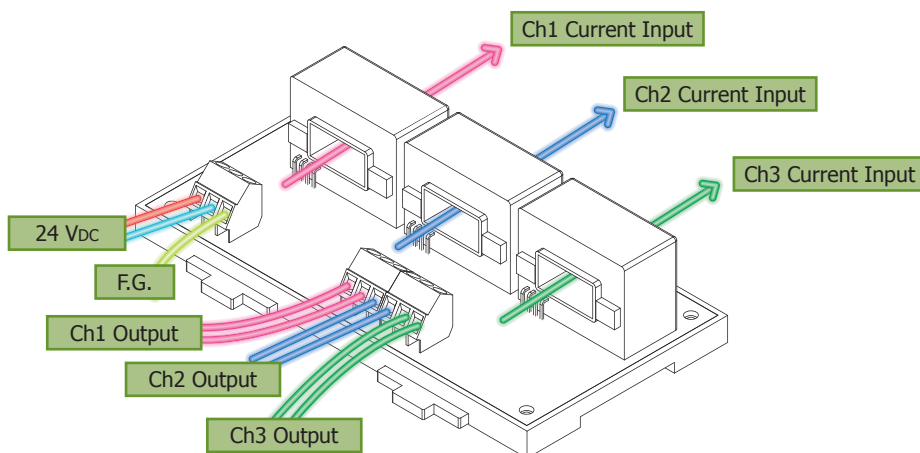
Introduction

The maximum input range is from ± 1 A to ± 50 A and can be attenuated to from ± 1.6 V to ± 10 V. The "I" version provide 3000 Vdc intra-modules isolation and 3000 Vdc channel to channel isolation to avoid the noise interference from inputs to outputs or channel to channel. It can be used with the analog input modules such as I-7017 and I-87017 etc. to measure the high current.

Applications



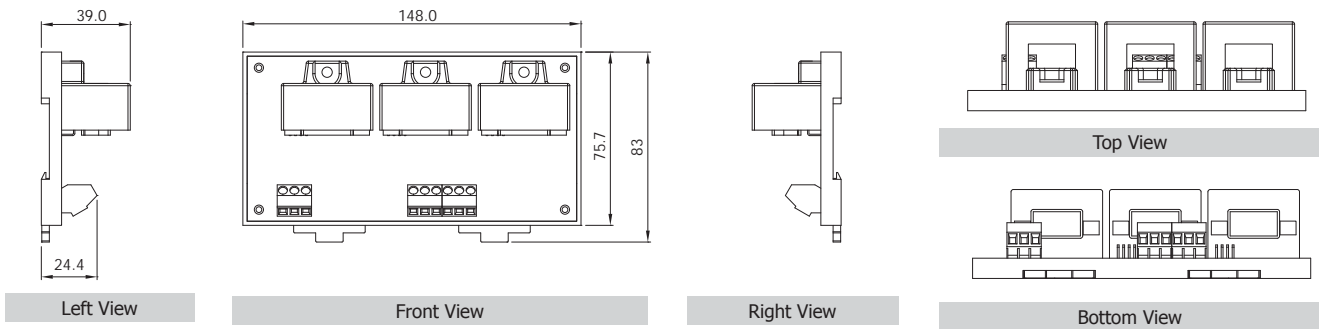
Installation



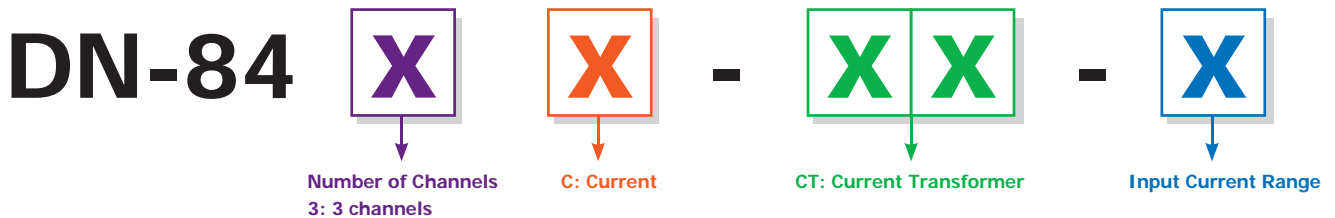
Specifications

Models	DN-843I-CT-1	DN-843I-CT-10	DN-843I-CT-20	DN-843I-CT-50
General				
Channels	3			
Input Type	AC/DC Current			
Input Range	+/- 1 A	+/- 10 A	+/- 20 A	+/- 50 A
Output Type	AC/DC Voltage			
Output Range	+/- 1.6 V _{pp}	+/- 10 V _{pp}	+/- 10 V _{pp}	+/- 4 V _{pp}
CT Type	Solid Core (closed)			
Accuracy	1% of FSR			
Chanel to Channel Isolation	Yes, 3000 V _{rms}			
Intra-module Isolation, Input to Output	3000 V _{oc}			
Bandwidth	50 KHz			
Input Impedance	> 1 MΩ			
EMS Protection				
ESD (IEC 61000-4-2)	+/- 4 kV contact for power line, input and output channels, +/- 8 kV air for random point			
Power Input				
Input Range	+10 ~ +24 V _{dc}			
Power Consumption	1.2 W			
Mechanical				
Dimensions (W x L x H)	148 mm x 83 mm x 39 mm			
Installation	DIN-Rail Mounting			
Environment				
Operating Temperature	-25 ~ + 75°C			
Storage Temperature	-30 ~ +75°C			
Humidity	10 ~ 90% RH (non-condensing)			

Dimensions (Units: mm)



Selection Guide



Ordering Information

DN-843I-CT-1 CR	3-channel 1 A Current Transformer (RoHS)
DN-843I-CT-10 CR	3-channel 10 A Current Transformer (RoHS)
DN-843I-CT-20 CR	3-channel 20 A Current Transformer (RoHS)
DN-843I-CT-50 CR	3-channel 50 A Current Transformer (RoHS)

Accessories

MDR-20-24 CR	24 V/1 A, 24 W Power Supply with DIN-Rail Mounting (RoHS)
I-7017-G CR	8-channel Analog Input Module (RoHS)
I-87017-G CR	8-channel Analog Input Module (RoHS)