

WMP-227V

21.5" -Wide Screen Core i Fanless Medical Panel PC



Key Features

- 21.5" Intel Core i Fanless Medical Panel PC
- 21.5" FHD 1920x1080 LED Panel
- Intel 3rd gen. IVY bridge Core i7/i5 CPU
- Front flat resistive touch screen
- Medical UL60601-1 3rd edition certification
- Anti-bacteria (MRSA) plastic housing
- Optional PCI/PCIe expansion slot
- Seamless in front & ultra slim 65mm only
- Easy wipe surface with no internal corner
- IP65 at front side, IPx1 for whole system
- Friendly design of Function hot-deys
- Optional 4KV LAN/COM/USB isolation I/O
- Optional built-in battery pack
- Optional P-CAP (4-fingers) touch

Main System

CPU	FCBGA1023 3rd Generation Intel® Core i7/i5/i3 processor (17W max.)
Chipset	Intel BD82HM65 PCH
Graphics	Intel HD Graphics HD 4000
Memory	Two 1066/1333/1600 MHz DDR3 SODIMM socket support dual Channel, non-ECC, up to 16GB
Serial ATA	SATA 3, 600 MB/s transfer rate x 2
USB	· External USB 2.0 x 4 (Type A) · Internal 3.3V Socket x 3, 5V Pin Head x 2
COM	x 6 (RS232,422,485 x 1 / RS232 x 5)
Audio	Realtek ALC262 audio codec, 2+2 watts amplifier
LAN	Marvell 88E8071 Gigabit Ethernet x 2
Speaker	1.5W x 2
WDT	Generates system reset; 256 segments, 0, 1, 2...255 sec/min
BIOS	· Brand: AMI BIOS · Flash ROM size: 64M bit · Support RTC wakeup /Wake on LAN /Power on after power failure/PnP/ACPI/RTC

LCD Panel

Size	21.5" wide 16:9
Resolution	Full HD 1920 x 1080
Brightness	250 nits
Contrast	1000:1
Color numbers	16.7M (6-bit x 3 + Hi FRC)
Viewing angle	170 (H) / 160 (V)
Response time	5 ms (Typ)
Backlight	LED, 30,000 hours life time

Touch Panel

Technology	5-wire resistive touch (default)	Projected capacitive touch (option)
Type	Front full flat touch panel	Front full flat 4 point touch panel
Transparency	> 78% (at 550 nm wavelength)	90% ± 3%
Hardness	3H	7H
Durability	Knock 35 million times	Knock 100 million times

* OS support (Multi point) Win 7 pro, Win 8, Win 8.1 industrial

Storage & Expansion

HDD	2.5" SATA HDD drive bay x 1 + anti-vibration kit, 320GB / 500GB
Expansion slot	· PCI-E x 16 expansion slot x 1 (60W max, can't co-exist with isolated module) or PCI 2.2 x 1 (by different configuration) · Card size: 68mm (W) x 220mm (D) x 18mm(H) · Mini PCIe x 2 (52 pin card-edge type)

I/O & Control Keys

USB	USB 2.0 x 4
COM	DB-9 x 2 (RS232, RS232/422/485-w/ auto flow control)
LAN	RJ-45 x 2, Gigabit
Video-out	DVI-I x 1
Audio	Line-out, Microphone-in (3.5 mm phone-jack)
Power input	DC-in x 1, 7V~32V
Control keys	· Front side, projected capacitive type · Power on/off, Brightness, Audio volume, Backlight on/off, Touch on/off

Power

Power adaptor	External, 100 watts, 90~264V AC in, 12V DC out, medical grade, 1.2m DC cable
Power consumption	42.624 watts (MAX. loading without adapter)
Internal battery (optional)	· Lithium-Ion, 28Wh, for 25 minutes operating (approx.), 2S2P · Charge time: 2 hours (system off), 3.5 hours (system on)

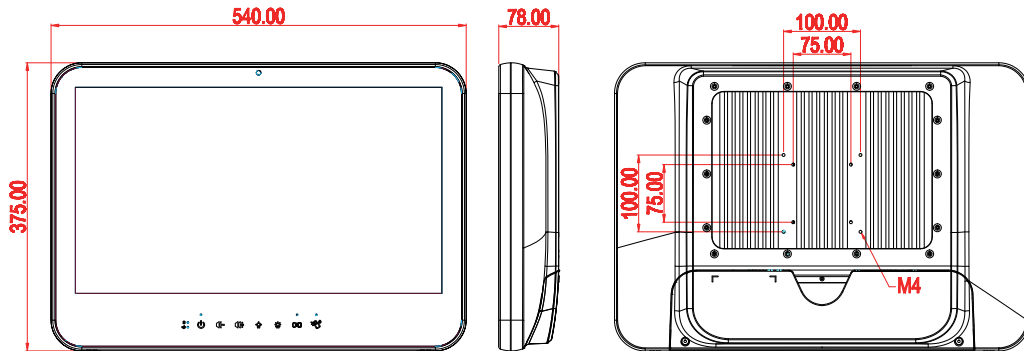
Mechanical & Environmental

Housing	·Front: Full flat design / Touch (standard), Glass (optional) ·Rear: Plastic + I/O cover w/ antibacterial treatment
Color	·Housing: White
IP rating	·Control key icons: Grey (Panton no. Cool grey 8C) IP65 – front side
Cooling	Fanless w/ back cover aluminum thermal plate
Mounting	VESA 75 x 75 / 100 x 100 mm
Kensington lock	Yes, x 1 at bottom
Dimension	540 x 375 x 78 mm (W x H x D, w/o stand)
Weight (net)	7.0 Kg (approximate, w/o power adaptor)
Temperature	·Operating – 0°C~40°C ·Storage – -20°C~60°C
Humidity	Operating & storage – 10%~90%, non-condensing
Regulatory	UL/cUL 60601-1 version 3, FCC/VCCI class B / EN 60601-1 / EN60601-1-2:2007 / ISO 14971

WMP-227V

21.5"- Wide Screen Core i Fanless Medical Panel PC

Outline Dimension



Packaging / Options / Customization

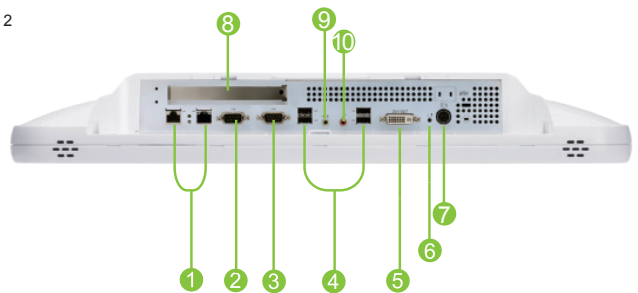
Packaging System, power adaptor, AC power cord, DVD (drivers & manual)

- Options**
- WLAN 802.11 a/b/g/n mini PCIe module with internal antenna x 2
 - 802.11a/b/g/n dual-band 2T2R with Bluetooth
 - Webcam (3.2M pixel, USB)
 - 28W battery pack
 - RFID (13.56Hz) (5V USB)
 - PCI-E x16 or PCI riser card
 - Power adaptor w/ 2.4m or 3.6m DC cable
 - PoE card (PCI-E x 4)
 - Equipotential terminal pin
 - Anti-bacteria desktop stand (metal, white)
 - Microphone on I/O cover
 - AG Film
 - Projected capacitive multi-touch

- Customization**
- 4KV Isolation Card x 1 (Isolation COM x 2, Isolation LAN x 1, Isolation USB x 1)
 - Add extra two COM ports
 - Tempered glass
 - TPM 1.2 module
 - 2D Barcode scanner
 - High Speed USB 3.0 x 2



I/O Connectors



- | | |
|-----------------|-----------------------|
| 1 LAN x 2 | 6 Reset |
| 2 RS232/422/485 | 7 DC-in |
| 3 RS232 | 8 PCI-E/PCI expansion |
| 4 USB x 4 | 9 Line-out |
| 5 DVI-I | 10 Microphone-in |



Ordering Information

- CPU: Core i5 1.7G (default) / Core i7 1.9G
- Memory: 2G / 4G / 8G / 16G
- HDD: 320G / 500G
- Desktop stand: None / x 1
- Power adaptor: 1.2m / 2.4m / 3.6m DC cable
- WLAN: None / x 1
- Bluetooth + WLAN: None / x 1
- Battery pack: None / x 1
- RFID reader: None / x 1
- Expansion: None / PCI-E / PCI
- Microphone on I/O cover: None / x 1
- Webcam: None / x 1
- Touch: Projected capacitive multi-touch / 5 wire resistive touch
- PoE: None / x 1
- AG Film: None / x 1
- Equipotential terminal pin: None / x 1

