

WMS-42 Plus3

42" Intel Core i3/i5/i7 All-in-one Digital Signage System



Features

- Compact and low noise design
- Smart fan control
- Support 1920x1080 HDTV content
- Easy to swap PC board and option kits
- Structure by Modules
- IO Connectors are Easily Accessed
- VGA outputs for daisy chain Solution
- Intel Core i3/5/7 CPU + Q57 Platform
- Optical touch (option)

Specifications System

CPU Intel® Socket LGA 1156, Support Intel Core i3/i5/i7 and Pentium G9650 CPU
CPU listing:
 Standard: CORE i5-650, 3.2G
 Options: CORE i3-540, 3.06G
 Pentium G6950, 2.80G
 CORE i7-860, 2.80G (No graphic card function)

System bus 2.5GT/s

Chipset Intel® Q57 Express PCH

Audio Realtek ALC268 HD Audio Codec

LAN Marvell 88E8071 Giga LAN x 1

Memory Standard: 2G
 Max: 8G

I/O Winbond W83267UHG

Serial ATA SATA II controller (3.0Gb/sec) Port x 2

USB 5 USB 3.0 port (external I/O x 3, internal pin head x 2)

Serial COM 1 RS-232 (internal pin head), 1 RS-232/422/485 at I/O side

Mini PCIe One Mini PCI express slot

WDT 1~255 second/minutes, software programmable

Speakers (landscape, 10W+10W) (volume level controllable by IR remote control)

LCD Panel

Resolution (pixel)	Full HD (1920 x 1080)
Active Area (mm)	930.24(H) x 523.26(V)
Number of Colors	10bit(8 bit + FRC), 1073.7M
View Angle (H/V)	(U/D/R/L CR>10) 89/89/89/89
Brightness (cd/m ²)	450
Color Gamut	(NTSC) 72%
Contrast Ratio	4000:1

Touch Panel

Type	Optical, 6 point Multi-Touch
Glove	Yes
Stylus	Yes
Vandal	No
Interface	USB
Light Transmission	>=92%
Hardness	Glass hardness – Mohs 7
Glass thickness	4mm
Linearity	0.5mm
Resolution	12 Million Points over the touch area

Storage

HDD 2.5" SATAII HDD drive x 1 (integrated with PC module)
 Standard: 320 G
 Options: 500 G

Expansion

Mini PCI-E x 1
PCI-Ex16 x 1
PCI-Ex4 x 1

External I/O on bottom

VGA output x 1
 VGA input x 1
 IR receiver x 1 (optional and will disable default IR receiver function if this port is plugged)

Line in x 1
 Line out x 2

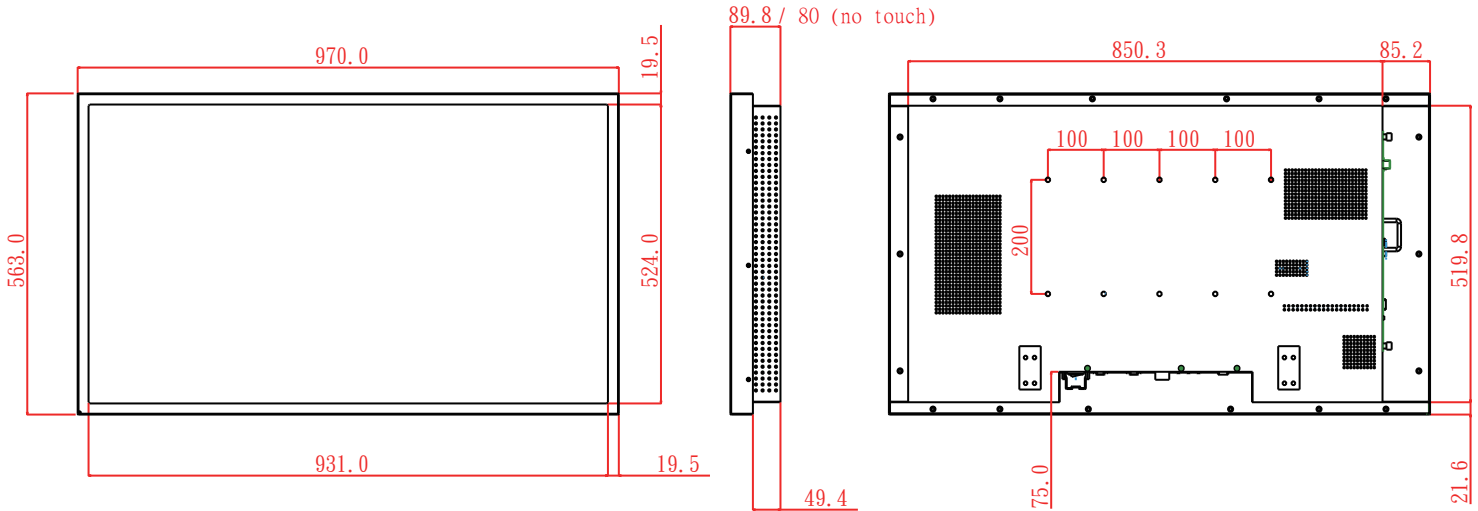
External I/O on Side

USB USB 2.0 x 3
COM DB-9 x 1 (RS-232/422/485)
LAN RJ-45 x 1 (Gigabit Ethernet)
Audio Mic-in, Line out audio jacks

WMS-42 Plus3

42" Intel Core i3/i5/i7 All-in-one Digital Signage System

Drawing



Power

Power input

Direct AC connector, ATX power supply to computer board,
100~240VAC, 50/60Hz

Power Switch

Main switch to turn on/off AC power (at the bottom side)
Switch to turn on/off mother board (at the external I/O of PC side)

Power LED

Power and HDD indicator at PC board external I/O side
(LED colors: Power: Green / Orange: HDD accessing)

PC module power and LCD display power are separately controllable by
IR remote control

Display status LED is located at left bottom side
(Power on: Green / Stand by: Red)

Dimension and Weight

Outline dimension (WxHxD, mm):

no touch: 980*573*80 / with touch: 980*573*93.5

Weight (Kg): no touch: 27 / with IR touch: 33 Kg

Mechanical & Environmental

Mainbodycoating SECC, black (Panton no. 8238),
power coating

Operating Temperature 0°C ~ 40°C

Storage Temperature -20°C ~ 60°C

Operating Humidity 10 ~ 90%

Storage Humidity 10 ~ 90%

Noise Level 35 dB (25°C)

Kensington lock hole Computer module I/O side x 1

IR remote control sensor at front bezel left bottom corner, with flat top light
guide to receiver IR control signal

Regulatory

FCC-A, CE (EMC), UL/cUL

Options:

- Wireless LAN
- Graphic card (For Core i7-860)
- Stand
- Wall mount bracket
- Optical touch
- Remote IR receiver kit
- IO cover (computer side)

Ordering Information

- CPU: Core i5 3.2G / Core i7 2.8G / Core i3 3.06G / Pentium G6950 2.8G
- Memory: 2G / 4G / 8G
- HDD: 320G / 500G
- Stand: None / x 1
- WLAN: None / x 1
- Touch: None / x 1
- Graphic card: None / x 1
- Wall mount bracket: None / x 1
- Remote IR receiver kit: None / x 1
- IO cover: None / x 1